

RS232 to RS485 Converter

Part no.: XS201A



- Port-powered with optional external power
- Highly reliable Maxim MAX485E chip
- Protection against static electricity
- Automatic Send Data Control enabled
- Working mode: asynchronous, half-duplex
- Plug and play, no drivers required
- 2 year warranty
- CE, FCC, RoHS, ISO 9001 Compliant

This standard RS232 to RS485 converter is a simple and economical solution for most applications requiring a reliable and easy setup. Simply connect it to your RS232 port, connect the wires to the RS485 side and you are ready to go; Automatic Send Data Control is enabled by default so no drivers or other software is required. You can use it with point-to-point or point-to-multipoint networks.

This RS485 converter is port-powered which means that you don't need to supply it with an external power supply, unless your RS232 port doesn't provide sufficient power (most ports do). If your RS232 port doesn't provide the required voltage to power the unit you can easily connect a 5 to 12V DC supply to the terminal header on the RS485 side of the converter.

Bi-directional communication is enabled which means that you can communicate / convert data signals in both directions, from RS232 to RS485 and from RS485 to RS232.

This converter has a DB9 female connector at the RS232 side and a DB9 male connector and an optional terminal header at the RS485 side. The terminal header makes it easy to connect individual wires to the RS485 side.

NORDFIELD

Specialists in Serial Communication. With over 15 years of experience in the field we can solve most serial problems.

PRODUCTS

Large selection of Serial RS232, RS485 and RS422 converters, USB to Serial adapters, Isolators, Ethernet to Serial converters, Serial Repeaters, Wireless Serial modules, Serial Bluetooth adapters and Serial Port Cards.

TECHNICAL SUPPORT

To access technical support, please visit www.NordField.com where you will find:

- Latest drivers and updates
- Technical tips
- Documentation
- Configuration support
- and much more...

Feel free to contact our technical support team at mail@usconverters.com



Overall Features



When choosing a RS485 converter it is important that the processor chip is reliable and stable. This converter is designed around the MAX485E serial chip from Maxim/Dallas Semiconductor, one of the most popular and reliable chips on the market which will ensure reliable data conversion for years. The supporting output chip is a Philips HEF4093.

This RS232 to RS485 converter can be used for most applications including laboratory, industrial and commercial use

but notice that this RS232 to RS485 converter is non-isolated, it only has protection against static electricity and other fast high-voltage spikes. For industrial use we recommend isolated converters to prevent damage to your communication ports, devices or the converter. Please see our selection of isolated RS232 to RS485 converters if you require full optical isolation between your devices.

Specifications

SPECIFICATIONS	
Model number	XS201A
Baud rate	300 - 115200bps
Power	Port-powered from RS232 (RTS, DTR, TXD) Optional external power: 5VDC
Processor	MAX491/Philips HEF4093
Interface RS232	DB9 female connector Pin 7 (RTS) and 8 (CTS) are tied together. Pin 4 (DTR), 6 (DSR), and 1 (CD) are tied together.
Interface RS485	DB9 male / terminal board
Working mode	2-wire RS485 asynchronous half-duplex
Standards	EIA/TIA RS-232C / RS485
Transmission distance	RS232: Typical: 15 FT (5m) RS485: Typical: 4000 FT. (1200m)
Electrostatic protection	1500W, 600W/ms
Handshake / flow control	Automatic Send Data Control
Current consumption	< 10mA
Certifications	CE, FCC, RoHS ISO 9001 Certified
Operating Temp.	-40°F to 180°F (-25°C to 70°C)
Operating humidity	5% To 95% - No Condensation
Dimensions	2.47" x 1.33" x 0.70" (62.8 mm x 33.8 mm x 17.8 mm)
Warranty	5-year Limited Warranty
ECCN	4A994.a
Schedule B	8471.80.1000
HTS	8517.18.0050

NORDFIELD

Specialists in Serial Communication. With over 15 years of experience in the field we can solve most serial problems.

PRODUCTS

Large selection of Serial RS232, RS485 and RS422 converters, USB to Serial adapters, Isolators, Ethernet to Serial converters, Serial Repeaters, Wireless Serial modules, Serial Bluetooth adapters and Serial Port Cards.

TECHNICAL SUPPORT

To access technical support, please visit www.NordField.com where you will find:

- Latest drivers and updates
- Technical tips
- Documentation
- Configuration support
- and much more...

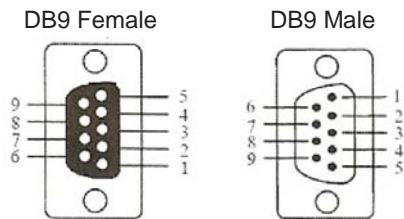
Feel free to contact our technical support team at:

mail@usconverters.com

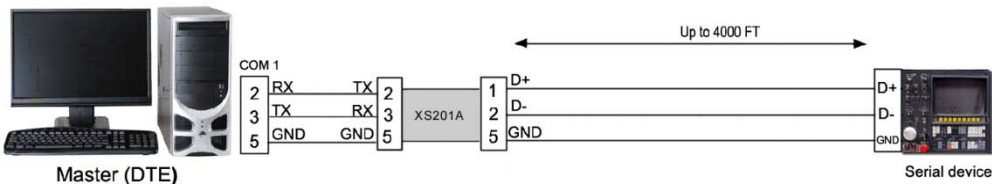


Pin no.	DB9 Female RS232 (PC)
1	CDC
2	RXD
3	TXD
4	DTR
5	GND
6	DSR
7	RTS
8	CTS
9	RI

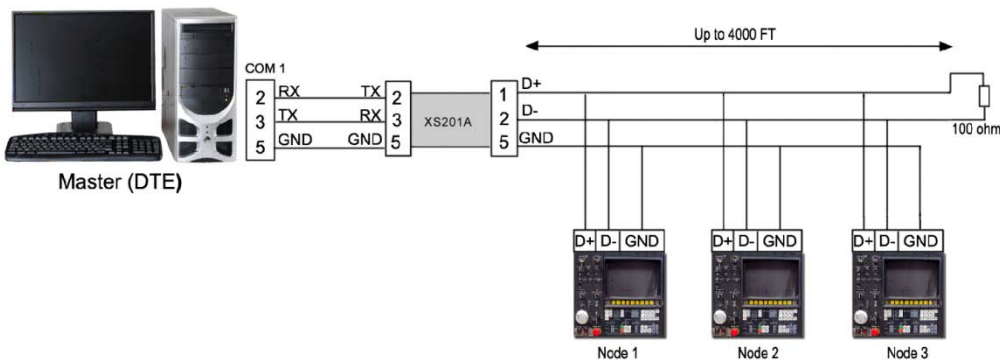
Pin no.	DB9 Male RS485 (Device)	Terminal board
1	D+	D+
2	D-	D-
3		GND
4		5V
5	GND	
6	5V	
7		
8		
9		



Point-to-point setup example



Point-to-multipoint setup example



NORDFIELD

Specialists in Serial Communication. With over 15 years of experience in the field we can solve most serial problems.

PRODUCTS

Large selection of Serial RS232, RS485 and RS422 converters, USB to Serial adapters, Isolators, Ethernet to Serial converters, Serial Repeaters, Wireless Serial modules, Serial Bluetooth adapters and Serial Port Cards.

TECHNICAL SUPPORT

To access technical support, please visit www.NordField.com where you will find:

- Latest drivers and updates
- Technical tips
- Documentation
- Configuration support
- and much more...

Feel free to contact our technical support team at:

mail@usconverters.com